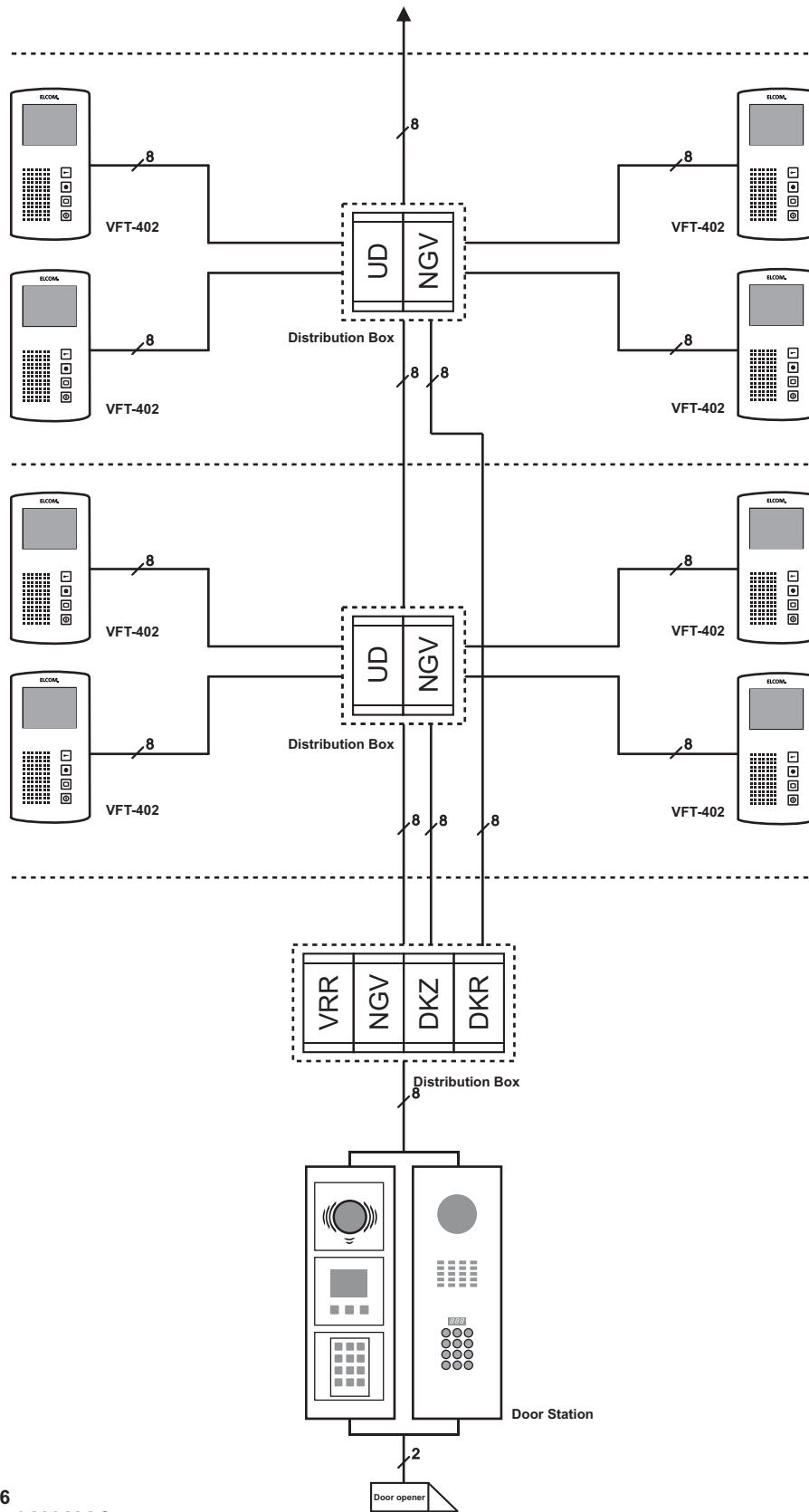
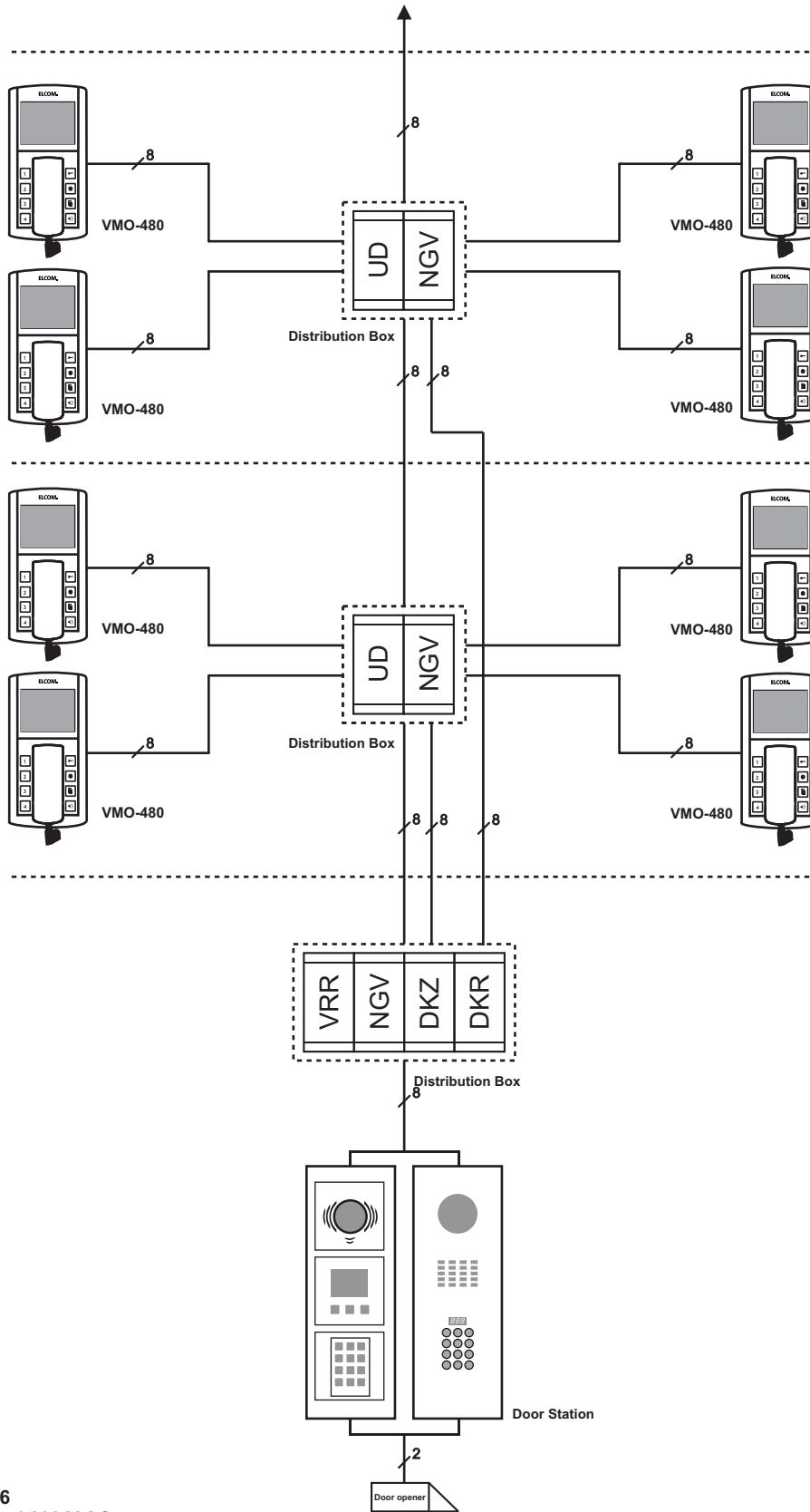


Cable use is standard CAT6  
All Distribution Box will need 230 V AC



Cable use is standard CAT6  
All Distribution Box will need 230 V AC



Cable use is standard CAT6  
All Distribution Box will need 230 V AC